

High quality slimline multideck display cases



Total Cooling Solutions

Integral slimline multideck displays

12 MONTHS Parts & Labour WARRANTY

PLUG IN

NIGHT BLINDS INC.

■ Castors



Cabinet Code	Normix-70-M
Product range	Normix
Cabinet description	Integral slimline multideck display case
Dimensions	1780mm H x 650mm D x 700mm W
Cabinet finish	White
Power supply	13 amp
Shelves	Base +4
Capacity	290 Litres
Temperature range	+2...+4°C
Refrigerant	R404A

12 MONTHS Parts & Labour WARRANTY

PLUG IN

NIGHT BLINDS INC.

■ Castors



Cabinet Code	Normix-90-M
Product range	Normix
Cabinet description	Integral slimline multideck display case
Dimensions	1780mm H x 650mm D x 880mm W
Cabinet finish	White
Power supply	13 amp
Shelves	Base +4
Capacity	375 Litres
Temperature range	+2...+4°C
Refrigerant	R404A

12 MONTHS Parts & Labour WARRANTY

PLUG IN

NIGHT BLINDS INC.

■ Castors



Cabinet Code	Normix-100-M
Product range	Normix
Cabinet description	Integral slimline multideck display case
Dimensions	1780mm H x 650mm D x 1000mm W
Cabinet finish	White
Power supply	13 amp
Shelves	Base +4
Capacity	430 Litres
Temperature range	+2...+4°C
Refrigerant	R404A

12 MONTHS Parts & Labour WARRANTY

PLUG IN

NIGHT BLINDS INC.

■ Castors



Cabinet Code	Normix-120-M
Product range	Normix
Cabinet description	Integral slimline multideck display case
Dimensions	1780mm H x 650mm D x 1200mm W
Cabinet finish	White
Power supply	13 amp
Shelves	Base +4
Capacity	520 Litres
Temperature range	+2...+4°C
Refrigerant	R404A

Integral slimline multideck displays

12 MONTHS Parts & Labour WARRANTY

 **PLUG IN**

NIGHT BLINDS INC.

■ Castors



NEW Product

Cabinet Code	Normix-70-M-SS
Product range	Normix
Cabinet description	Integral slimline multideck display case
Dimensions	1780mm H x 650mm D x 700mm W
Cabinet finish	Brushed stainless steel
Power supply	13 amp
Shelves	Base +4
Capacity	290 Litres
Temperature range	+2...+4°C
Refrigerant	R404A

12 MONTHS Parts & Labour WARRANTY

 **PLUG IN**

NIGHT BLINDS INC.

■ Castors



Cabinet Code	Normix-90-M-SS
Product range	Normix
Cabinet description	Integral slimline multideck display case
Dimensions	1780mm H x 650mm D x 880mm W
Cabinet finish	Brushed stainless steel
Power supply	13 amp
Shelves	Base +4
Capacity	375 Litres
Temperature range	+2...+4°C
Refrigerant	R404A

12 MONTHS Parts & Labour WARRANTY

 **PLUG IN**

NIGHT BLINDS INC.

■ Castors



Cabinet Code	Normix-100-M-SS
Product range	Normix
Cabinet description	Integral slimline multideck display case
Dimensions	1780mm H x 650mm D x 1000mm W
Cabinet finish	Brushed stainless steel
Power supply	13 amp
Shelves	Base +4
Capacity	430 Litres
Temperature range	+2...+4°C
Refrigerant	R404A

12 MONTHS Parts & Labour WARRANTY

 **PLUG IN**

NIGHT BLINDS INC.

■ Castors



Cabinet Code	Normix-120-M-SS
Product range	Normix
Cabinet description	Integral slimline multideck display case
Dimensions	1780mm H x 650mm D x 1200mm W
Cabinet finish	Brushed stainless steel
Power supply	13 amp
Shelves	Base +4
Capacity	520 Litres
Temperature range	+2...+4°C
Refrigerant	R404A

Total Cooling Solutions

Integral slimline multideck displays

Normix

Slimline Multideck range

Construction

- unit lengths 700, 880, 1000 and 1200mm
- load-bearing structure and outer shell made of galvanised steel sheet
- high quality, durable stove enamelling
- hygienic, plastic bottom tray
- mounted on four castor wheels
- height and inclination of shelves adjustable

Lighting

- fluorescent lighting in front edge of ceiling as standard fitting
- lifetime of long life (LL) fluorescent tubes three times longer than conventional tube lighting

Standard models

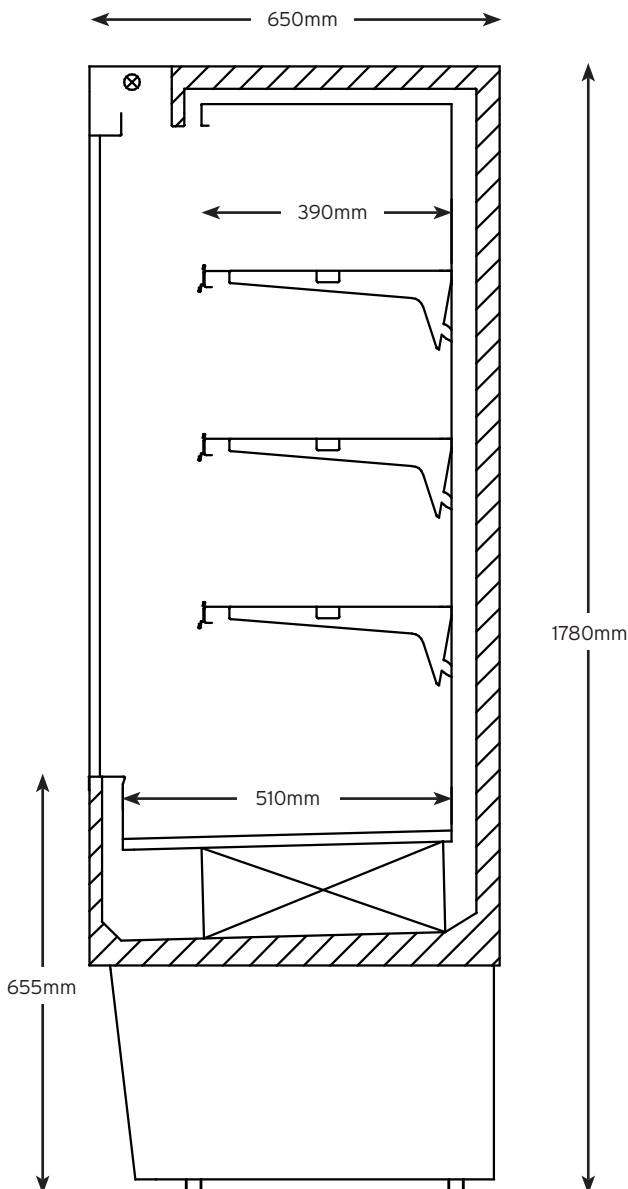
- available in brushed steel or stoved paint finishes

Standard equipment

- NRC-100 controller
- four shelves
- electronic thermostat
- electrified drainwater evaporation
- refrigerant R404A

Optional accessories

- changeable end and front panels
- roller cover
- acrylic front risers
- shelf partition, 80mm
- extra shelf



Technical specifications at ambient temperature of +25°C and relative humidity of 60 %.

Electrical supply 230V, single-phase, 50Hz.