

Innovative solutions from Norpe have created this range of low-level chiller displays and shop around islands



NEW Product

12 MONTHS Parts & Labour WARRANTY

PLUG IN

■ Cabinet models match with Saga extended height range. See page 7.



Cabinet Code	Norcon-90-M-SS-Curved	Norcon-120-M-SS-Curved
Product range	Norcon	Norcon
Cabinet description	Low level refrigerated multideck	Low level refrigerated multideck
Height	1300mm	1300mm
Depth	754mm	754mm
Width	880mm	1200mm
Cabinet finish	Brushed stainless steel	Brushed stainless steel
Power supply	13 amp	13 amp
Shelves	Base +3	Base +3
Capacity	1.2m ³	1.67m ³
Temperature range	0...+2°C / M1	0...+2°C / M1
Refrigerant	R404A	R404A

Total Cooling Solutions

Integral low height multideck and island displays

12 MONTHS Parts & Labour WARRANTY

PLUG IN



Cabinet Code	Norcon-150-90-M
Product range	Norcon
Cabinet description	Impulse chiller
Height	1500mm
Depth	660mm
Width	880mm
Cabinet finish	White
Power supply	13 amp
Shelves	Base +4
Capacity	1.46m ³
Temperature range	0...+2°C / M1
Refrigerant	R404A

NEW Product

12 MONTHS Parts & Labour WARRANTY

PLUG IN



Cabinet Code	Norcon-150-120-M
Product range	Norcon
Cabinet description	Impulse chiller
Height	1500mm
Depth	660mm
Width	1200mm
Cabinet finish	White
Power supply	13 amp
Shelves	Base +4
Capacity	2.21m ³
Temperature range	0...+2°C / M1
Refrigerant	R404A

12 MONTHS Parts & Labour WARRANTY

PLUG IN



NEW Product



Cabinet Code	Norcon-60-M	Norcon-90-M	Norcon-120-M
Product range	Norcon	Norcon	Norcon
Cabinet description	Impulse chiller	Impulse chiller	Impulse chiller
Height	1300mm	1300mm	1300mm
Depth	660mm	660mm	660mm
Width	600mm	880mm	1200mm
Cabinet finish	White	White	White
Power supply	13 amp	13 amp	13 amp
Shelves	Base +3	Base +3	Base +3
Capacity	0.8m ³	1.2m ³	1.67m ³
Temperature range	0...+2°C / M1	0...+2°C / M1	0...+2°C / M1
Refrigerant	R404A	R404A	R404A

Integral low height shop-around displays



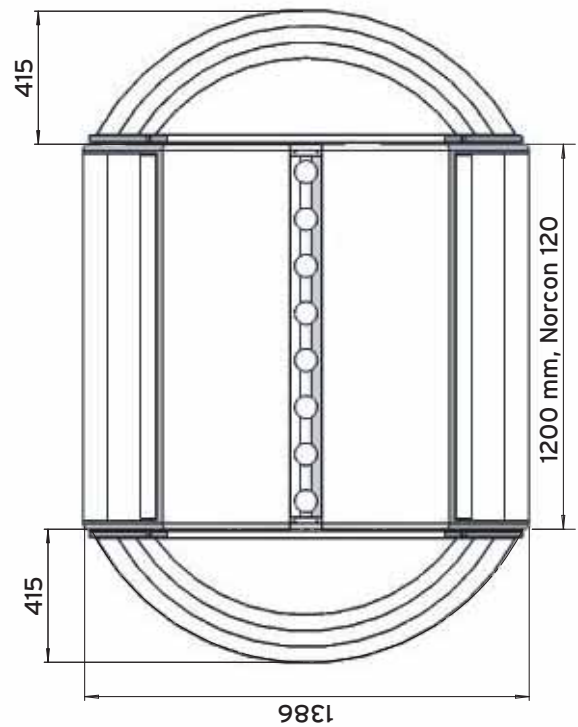
Norcon 'Shop-Around' Island

The perfect chilled/ambient display that can be shopped from all sides.

At 1300mm high the Norcon island creates a chilled/ambient, shop-around display that is low enough to retain the perfect store eye-line, and can be placed almost anywhere in a modern convenience store to create a chilled/ambient island display.

The body of the Norcon island is refrigerated, offering chilled display from both sides of the island.

Both ends of the islands are made from ambient shelving, designed to integrate into the Norcon's unique design, perfect for meal-deals, and additional offering in any modern convenience store.



12 MONTHS Parts & Labour WARRANTY

Cabinet Code	Norcon 120 Island Shelving Kit
Product range	Norcon
Cabinet description	Island shelving kit
Dimensions	See diagram
Cabinet finish	White
Power supply	n/a
Shelves	Base +3
Capacity	n/a
Temperature range	Ambient
Refrigerant	n/a



Total Cooling Solutions

Integral low height island displays

Norcon

Low-level Multideck range and impulse shoparound island range

Construction

- supporting construction and exterior made from galvanised steel sheet
- body lengths 600, 880 and 1200mm
- high quality stoved paint finish
- standard colour white on Norcon-60-M, Norcon-90-M and Norcon-120-M
- standard colour stainless steel on Norcon-90-M-SS-Curved and Norcon-120-M-SS-Curved
- glass end panels ensure excellent product visibility from the side
- high quality injected expanded polyurethane foam insulation is ozone layer friendly
- adjustable legs (50mm)
- height adjustable shelves can be straight or inclined (10°)

Lighting

- fluorescent tubes as standard in the end panels, lighting tubes are covered with plastic lids
- long life (LL) fluorescent tubes have treble the life expectancy of standard tubes

Standard equipment

- NRC-100 controller
- evaporator with fan
- upright lighting
- solar thermometer
- integral compressor complete with control devices
- refrigerant R404A
- electronic thermostat
- electrical defrost water disposal

Optional accessories

- price trims for shelves
- acrylic front riser on shelves
- condenser pressure control with signal light
- light canopy on top

Technical specifications at ambient temperature of +25°C and relative humidity of 60%.

Electrical supply 230V, single-phase, 50Hz.

